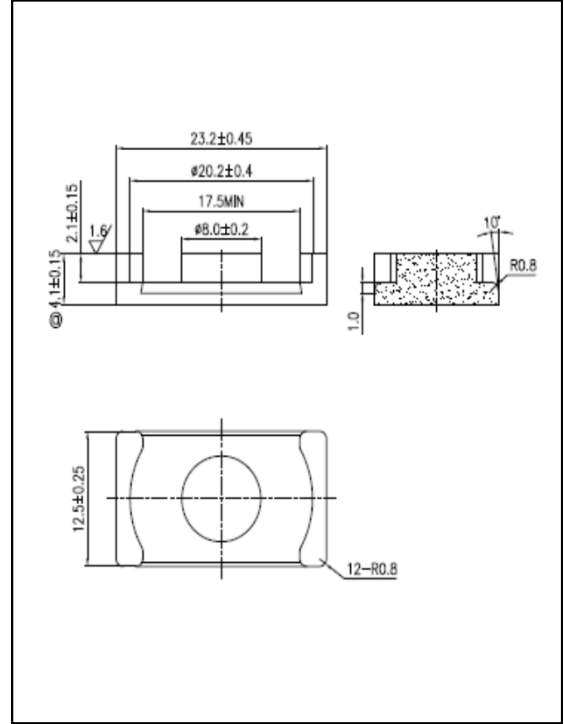


### CORE SETS

#### Effective core parameters

SYMBOL	PARAMETER	VALUE	UNIT
$\Sigma (1/A)$	core factor ( $C_1$ )	0.55	$\text{mm}^{-1}$
$V_e$	effective volume	1385.52	$\text{mm}^3$
$l_e$	effective length	27.6	mm
$A_e$	effective area	50.2	$\text{mm}^2$
$A_{\min}$	minimum area	50.0	$\text{mm}^2$
$W_t$	mass of core set	$\approx 7.7$	g



### Characteristic

GRADE	AL ( $\text{nH}/\text{N}^2$ )	B (mT)	CORE LOSS (W)
	f=10kHz U=0.25V	H=250A/m f=25kHz T=100°C	f=100kHz B=200mT T=100°C
DMR40	$3500 \pm 25\%$	$\geq 320$	$\leq 0.96$
DMR44	$3500 \pm 25\%$	$\geq 320$	$\leq 0.81$
DMR95	$4200 \pm 26\%$	$\geq 340$	$\leq 0.76$