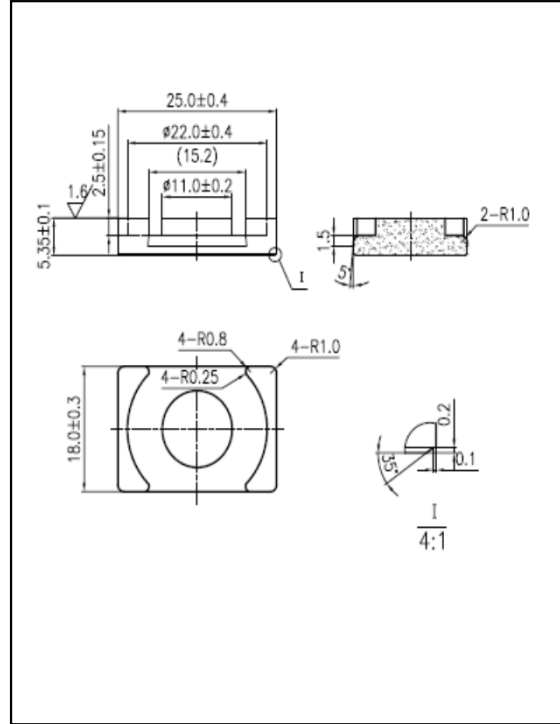


### CORE SETS

#### Effective core parameters

SYMBOL	PARAMETER	VALUE	UNIT
$\Sigma (1/A)$	core factor ( $C_1$ )	0.31	$\text{mm}^{-1}$
$V_e$	effective volume	2748.00	$\text{mm}^3$
$l_e$	effective length	30.70	mm
$A_e$	effective area	101.00	$\text{mm}^2$
$A_{\min}$	minimum area	95.00	$\text{mm}^2$
$W_t$	mass of core set	$\approx 17.1$	g



### Characteristic

GRADE	$AL (\text{nH}/\text{N}^2)$	$B (\text{mT})$	CORE LOSS (W)
	$f=10\text{kHz}$ $U=0.25\text{V}$	$H=250\text{A/m}$ $f=25\text{kHz}$ $T=100^\circ\text{C}$	$f=100\text{kHz}$ $B=200\text{mT}$ $T=100^\circ\text{C}$
DMR40	$5800 \pm 25\%$		$\leq 2.138$
DMR44	$5800 \pm 25\%$		$\leq 1.800$
DMR95	$7000 \pm 25\%$		$\leq 1.511$