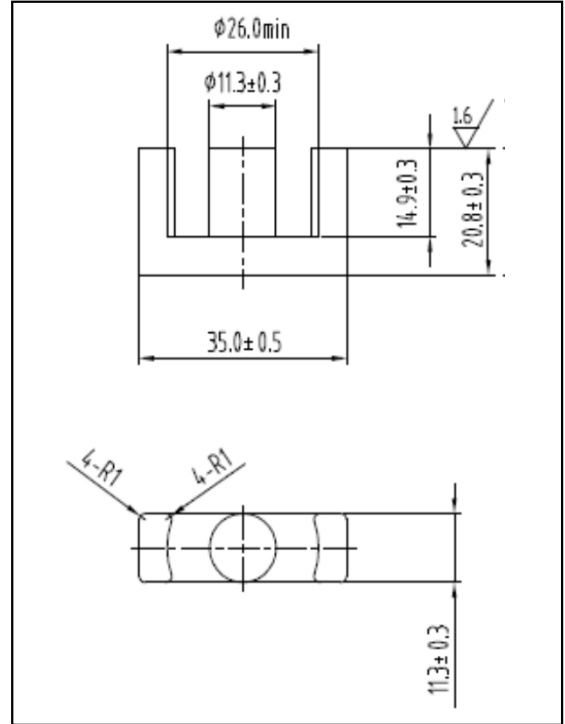


CORE SETS

Effective core parameters

SYMBOL	PARAMETER	VALUE	UNIT
$\Sigma (1/A)$	core factor (C_1)	0.84	mm^{-1}
V_e	effective volume	9973.50	mm^3
l_e	effective length	91.50	mm
A_e	effective area	109.00	mm^2
A_{\min}	minimum area	100.30	mm^2
W_t	mass of core set	≈ 53.0	g



Characteristic

GRADE	AL (nH/N ²)	B (mT)	CORE LOSS (W)
	f=10kHz U=0.25V	H=250A/m f=25kHz T=100°C	f=100kHz B=200mT T=100°C
DMR40	$2800 \pm 25\%$	≥ 320	≤ 6.36
DMR44	$2800 \pm 25\%$	≥ 320	≤ 5.60
DMR47	$3000 \pm 25\%$	≥ 340	≤ 5.28
DMR95	$3500 \pm 25\%$	≥ 340	≤ 5.60