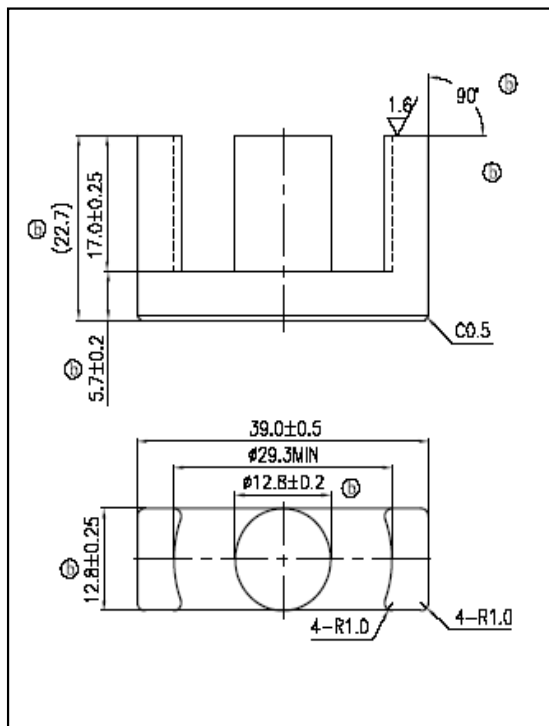


CORE SETS

Effective core parameters

SYMBOL	PARAMETER	VALUE	UNIT
$\Sigma (1/A)$	core factor (C_1)	0.78	mm^{-1}
V_e	effective volume	13699.0	mm^3
l_e	effective length	103.0	mm
A_e	effective area	133.0	mm^2
A_{\min}	minimum area	128.7	mm^2
W_t	mass of core set	≈ 70.0	g



Characteristic

GRADE	AL (nH/N^2)	B (mT)	CORE LOSS (W)
	f=10kHz U=0.25V	H=250A/m f=25kHz T=100°C	f=100kHz B=200mT T=100°C
DMR40	$3000 \pm 25\%$	≥ 320	≤ 8.40
DMR44	$3000 \pm 25\%$	≥ 320	≤ 7.70
DMR47	$3200 \pm 25\%$	≥ 340	≤ 6.65
DMR95	$3800 \pm 25\%$	≥ 340	≤ 7.70