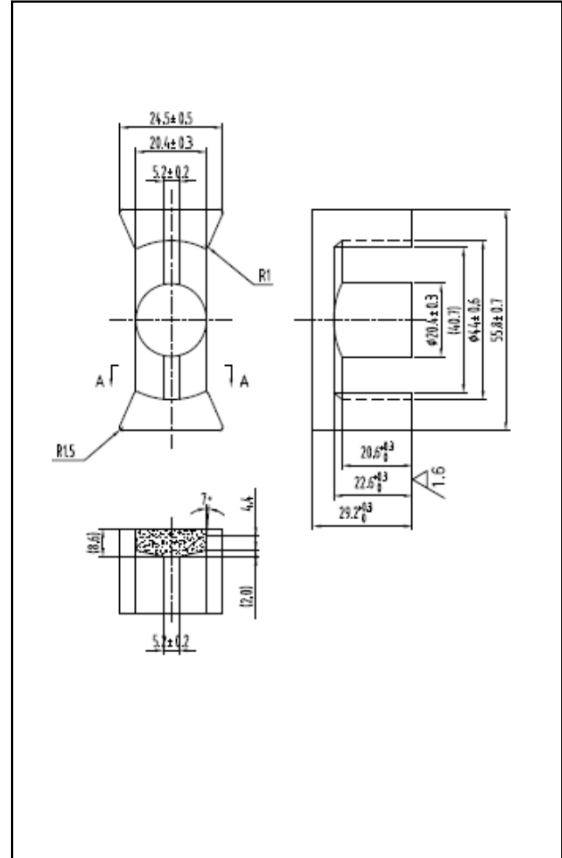


CORE SETS

Effective core parameters

SYMBOL	PARAMETER	VALUE	UNIT
$\Sigma (1/A)$	core factor (C_1)	0.43	mm^{-1}
V_e	effective volume	40656.0	mm^3
l_e	effective length	132.0	mm
A_e	effective area	308.0	mm^2
A_{\min}	minimum area	297.4	mm^2
W_t	mass of core set	≈ 216.0	g



Characteristic

GRADE	$AL (\text{nH/N}^2)$	$B (\text{mT})$	CORE LOSS (W)
	$f=10\text{kHz}$ $U=0.25\text{V}$	$H=250\text{A/m}$ $f=25\text{kHz}$ $T=100^\circ\text{C}$	$f=100\text{kHz}$ $B=200\text{mT}$ $T=100^\circ\text{C}$
DMR40	$5000 \pm 25\%$	≥ 320	≤ 25.92
DMR44	$5000 \pm 25\%$	≥ 320	≤ 23.76
DMR47	$5100 \pm 25\%$	≥ 340	≤ 20.52
DMR95	$6300 \pm 25\%$	≥ 340	≤ 22.36