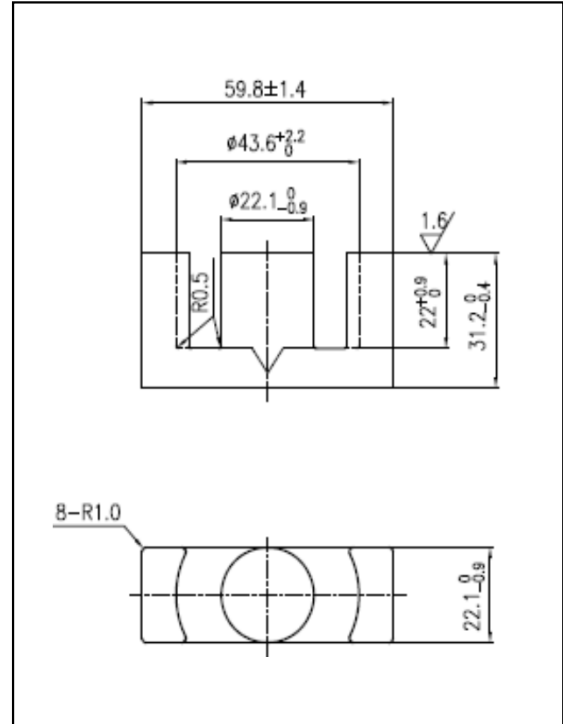


CORE SETS

Effective core parameters

SYMBOL	PARAMETER	VALUE	UNIT
$\Sigma (l/A)$	core factor (C_1)	0.39	mm^{-1}
V_e	effective volume	52256.00	mm^3
l_e	effective length	142.00	mm
A_e	effective area	368.00	mm^2
A_{\min}	minimum area	360.00	mm^2
W_t	mass of core set	≈ 264.5	g



Characteristic

GRADE	AL (nH/N^2)	B (mT)	CORE LOSS (W) max
	f=10kHz U=0.25V	H=250A/m f=25kHz T=100°C	f=100kHz B=200mT T=100°C
DMR40	$6000 \pm 25\%$	≥ 320	≤ 31.74
DMR44	$6000 \pm 25\%$	≥ 320	≤ 29.10
DMR95	$8500 \pm 25\%$	≥ 340	≤ 28.74