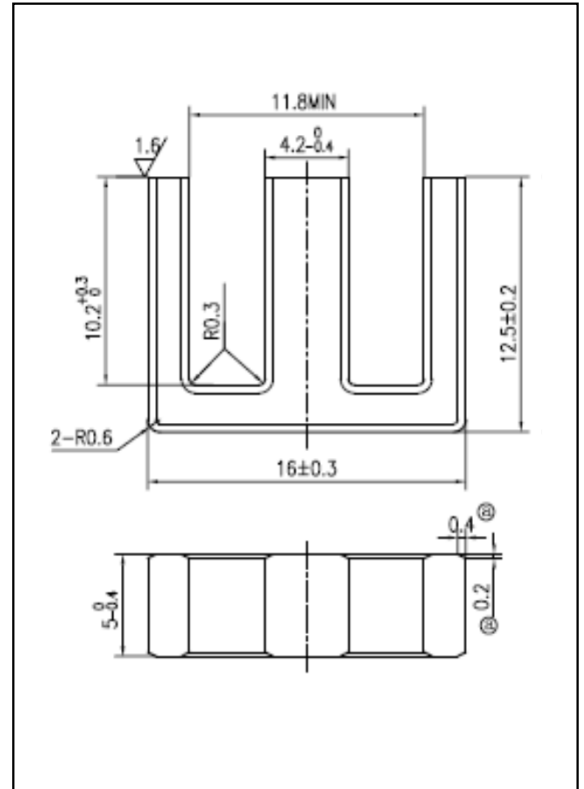


CORE SETS

Effective core parameters

SYMBOL	PARAMETER	VALUE	UNIT
$\Sigma (1/A)$	core factor (C_1)	2.92	mm^{-1}
V_e	effective volume	1065.8	mm^3
l_e	effective length	55.8	mm
A_e	effective area	19.1	mm^2
A_{\min}	minimum area	18.4	mm^2
W_t	mass of core set	≈ 5.2	g



Characteristic

GRADE	AL (nH/N ²)	B (mT)	CORE LOSS (W)
	f=10kHz U=0.25V	H=250A/m f=25kHz T=100°C	f=100kHz B=200mT T=100°C
DMR40	$750 \pm 25\%$	≥ 250	≤ 0.76
DMR44	$750 \pm 25\%$	≥ 250	≤ 0.63
DMR95	$1100 \pm 25\%$	≥ 270	≤ 0.59