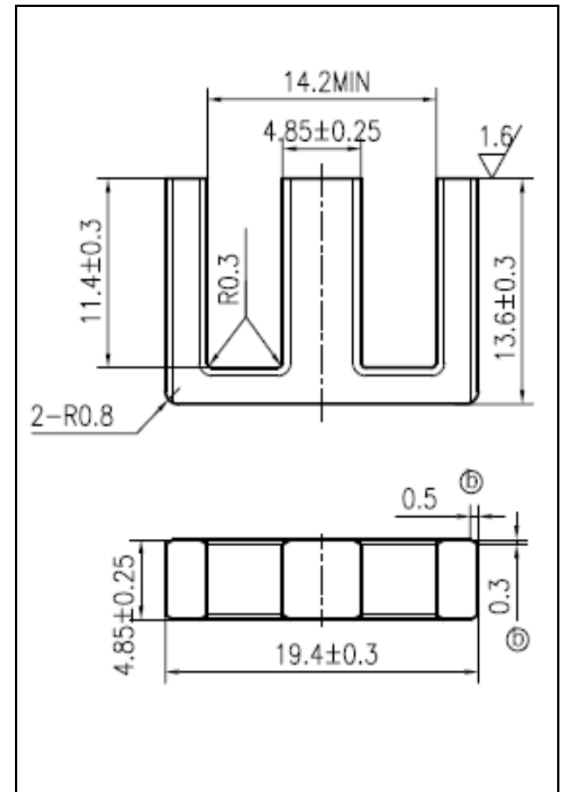


### CORE SETS

#### Effective core parameters

SYMBOL	PARAMETER	VALUE	UNIT
$\Sigma (1/A)$	core factor ( $C_1$ )	2.70	$\text{mm}^{-1}$
$V_e$	effective volume	1441.44	$\text{mm}^3$
$l_e$	effective length	62.40	mm
$A_e$	effective area	23.10	$\text{mm}^2$
$A_{\min}$	minimum area	23.10	$\text{mm}^2$
$W_t$	mass of core set	$\approx 7.0$	g



### Characteristic

GRADE	AL ( $\text{nH}/\text{N}^2$ )	B (mT)	CORE LOSS (W)
	f=10kHz U=0.25V	H=250A/m f=25kHz T=100°C	f=100kHz B=200mT T=100°C
DMR40	$820 \pm 25\%$	$\geq 250$	$\leq 0.95$
DMR44	$820 \pm 25\%$	$\geq 250$	$\leq 0.80$
DMR47	$900 \pm 25\%$	$\geq 270$	$\leq 0.67$
DMR95	$1200 \pm 25\%$	$\geq 270$	$\leq 0.78$