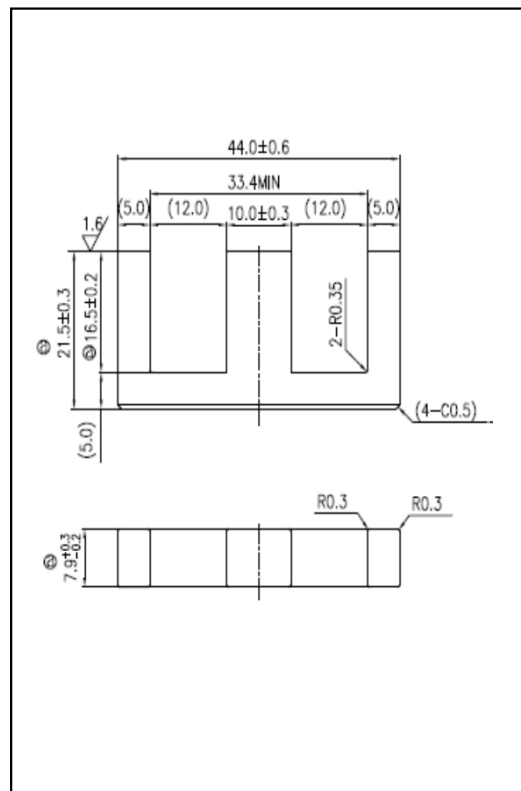


### CORE SETS

#### Effective core parameters

SYMBOL	PARAMETER	VALUE	UNIT
$\Sigma (1/A)$	core factor ( $C_1$ )	1.33	$\text{mm}^{-1}$
$V_e$	effective volume	8480.0	$\text{mm}^3$
$l_e$	effective length	106.0	mm
$A_e$	effective area	80.0	$\text{mm}^2$
$A_{\min}$	minimum area	79.8	$\text{mm}^2$
$W_t$	mass of core set	$\approx 41.32$	g



### Characteristic

GRADE	$AL$ ( $\text{nH}/\text{N}^2$ )	$B$ (mT)	CORE LOSS (W)
		$f=10\text{kHz}$ $U=0.25\text{V}$	$H=250\text{A}/\text{m}$ $f=25\text{kHz}$ $T=100^\circ\text{C}$
DMR40	$1600 \pm 25\%$	$\geq 320$	$\leq 4.96$
DMR44	$1600 \pm 25\%$	$\geq 320$	$\leq 4.55$