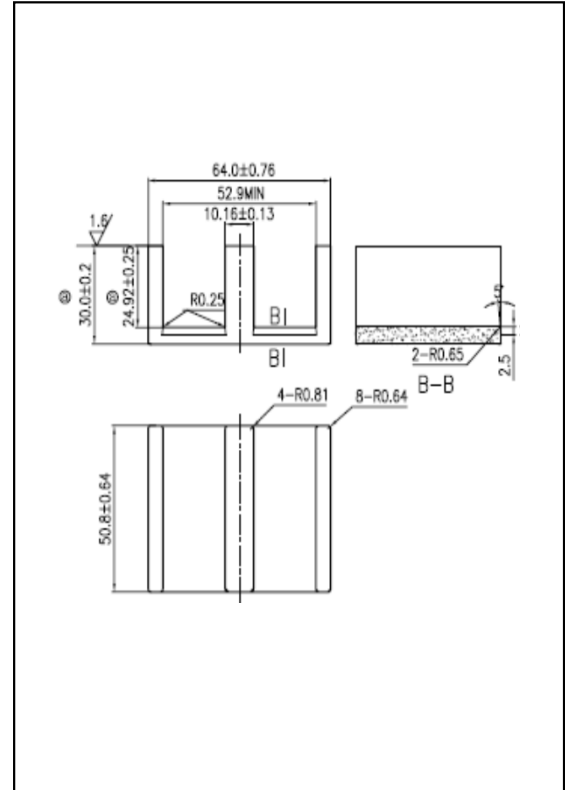


CORE SETS

Effective core parameters

SYMBOL	PARAMETER	VALUE	UNIT
$\Sigma (1/A)$	core factor (C_1)	0.31	mm^{-1}
V_e	effective volume	81940.8	mm^3
l_e	effective length	158.8	mm
A_e	effective area	516.0	mm^2
A_{\min}	minimum area	506.8	mm^2
W_t	mass of core set	≈ 408	g



Characteristic

GRADE	AL (nH/N ²)	B (mT)	CORE LOSS (W)
	f=10kHz U=0.25V	H=250A/m f=25kHz T=100°C	f=100kHz B=200mT T=100°C
DMR40	8000 ± 25%	≥ 320	≤ 49.0
DMR44	8000 ± 25%	≥ 320	≤ 44.9