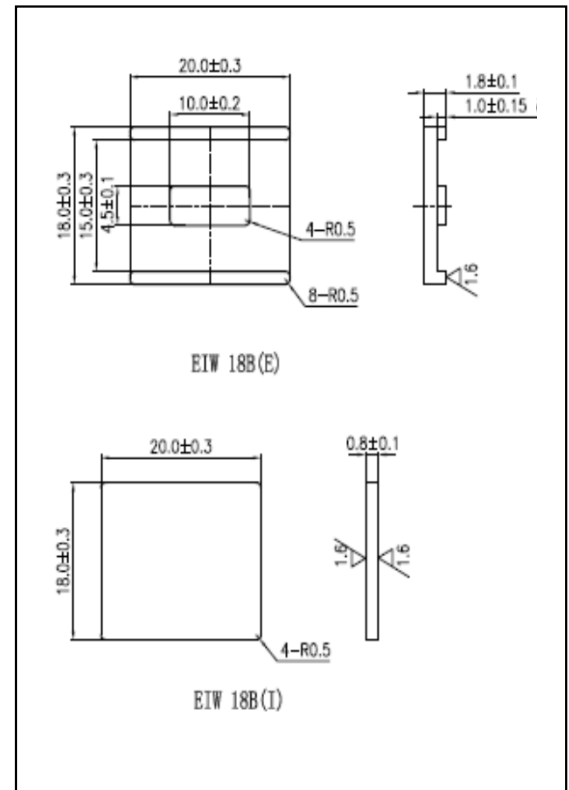


CORE SETS

Effective core parameters

SYMBOL	PARAMETER	VALUE	UNIT
$\Sigma (1/A)$	core factor (C_1)	0.43	mm^{-1}
V_e	effective volume	553.35	mm^3
l_e	effective length	15.50	mm
A_e	effective area	35.70	mm^2
A_{\min}	minimum area	28.80	mm^2
W_t	mass of core set	≈ 3.4	g



Characteristic

GRADE	AL (nH/N^2)	B (mT)	CORE LOSS (W)	
	f=10kHz U=0.25V	H=250A/m f=25kHz T=100°C	f=500kHz B=50mT T=100°C	f=3MHz B=10mT T=100°C
DMR50	$1438 \pm 25\%$	≥ 270	≤ 1.02	—