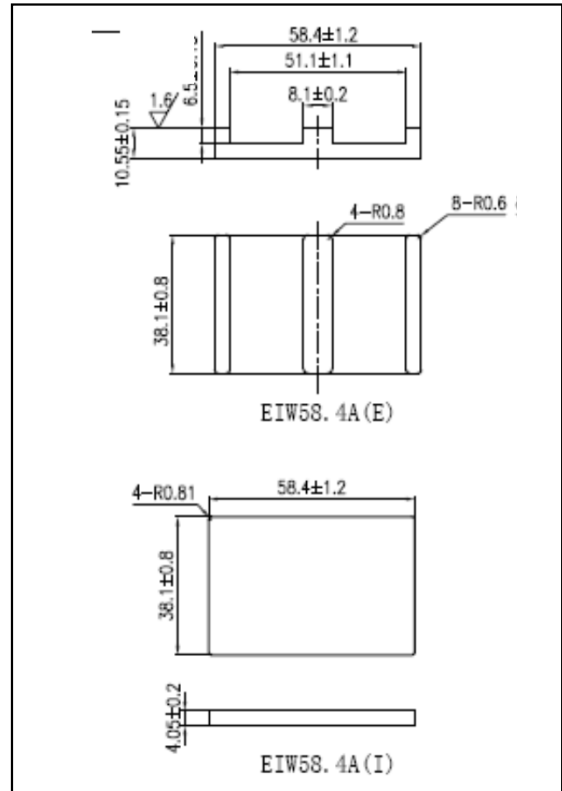


### CORE SETS

#### Effective core parameters

SYMBOL	PARAMETER	VALUE	UNIT
$\Sigma (1/A)$	core factor ( $C_1$ )	0.22	$\text{mm}^{-1}$
Ve	effective volume	20763.2	$\text{mm}^3$
le	effective length	68.3	mm
Ae	effective area	304.0	$\text{mm}^2$
Amin	minimum area	277.5	$\text{mm}^2$
Wt	mass of core set	$\approx 105.2$	g



### Characteristic

GRADE	AL ( $\text{nH/N}^2$ )	B (mT)	CORE LOSS (W)
	f=10kHz U=0.25V	H=250A/m f=25kHz T=100°C	f=100kHz B=200mT T=100°C
DMR40	$8400 \pm 25\%$	$\geq 315$	$\leq 12.63$
DMR44	$8400 \pm 25\%$	$\geq 315$	$\leq 11.58$