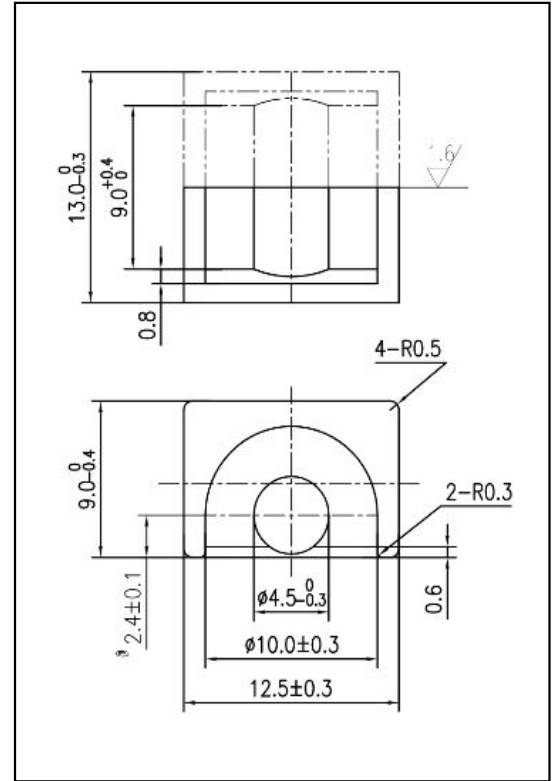


CORE SETS

Effective core parameters

SYMBOL	PARAMETER	VALUE	UNIT
$\Sigma (1/A)$	core factor (C_1)	1.02	mm^{-1}
V_e	effective volume	324.0	mm^3
l_e	effective length	18.2	mm
A_e	effective area	17.8	mm^2
A_{\min}	minimum area	14.9	mm^2
W_t	mass of core set	≈ 5.1	g



Characteristic

GRADE	AL (nH/N ²)	B (mT)	CORE LOSS (W)
	f=10kHz U=0.25V	H=250A/m f=25kHz T=100°C	f=100kHz B=200mT T=100°C
DMR40	1500 ± 25%	≥ 315	≤ 0.30
DMR44	1500 ± 25%	≥ 315	≤ 0.26
DMR95	2000 ± 25%	≥ 315	≤ 0.26

GRADE	AL (nH/N ²)	B (mT)	CORE LOSS (W)
	f=10kHz U=0.25V	H=250A/m f=25kHz T=100°C	f=500kHz B=50mT T=100°C
DMR50B	950 ± 25%	≥ 300	≤ 0.08
DMR55	1200 ± 25%	≥ 300	≤ 0.15