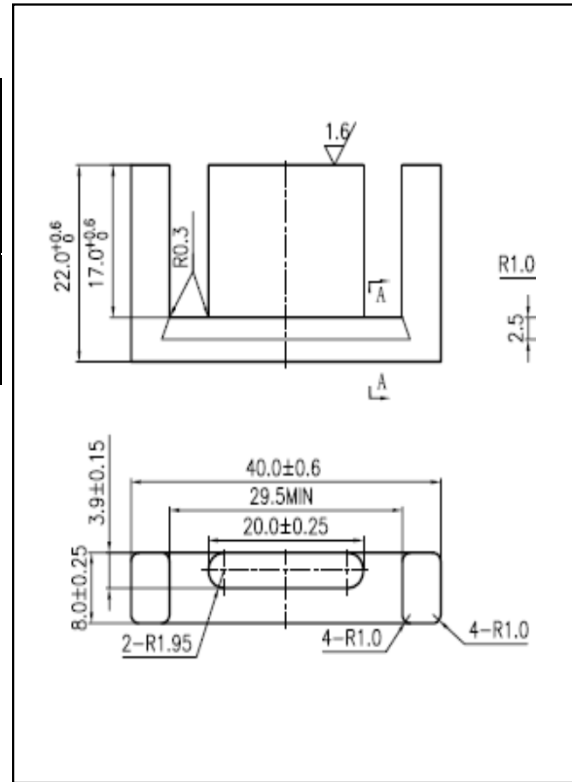


### CORE SETS

#### Effective core parameters

SYMBOL	PARAMETER	VALUE	UNIT
$\Sigma (1/A)$	core factor ( $C_1$ )	1.22	$\text{mm}^{-1}$
$V_e$	effective volume	8261.1	$\text{mm}^3$
$l_e$	effective length	100.5	mm
$A_e$	effective area	82.2	$\text{mm}^2$
$A_{\min}$	minimum area	78.0	$\text{mm}^2$
$W_t$	mass of core set	$\approx 42.0$	g



### Characteristic

GRADE	AL (nH/N <sup>2</sup> )	B (mT)	CORE LOSS (W)
	f=10kHz U=0.25V	H=250A/m f=25kHz T=100°C	f=100kHz B=200mT T=100°C
DMR40	2300 ± 25%	≥ 315	≤ 4.23
DMR44	2300 ± 25%	≥ 315	≤ 3.58