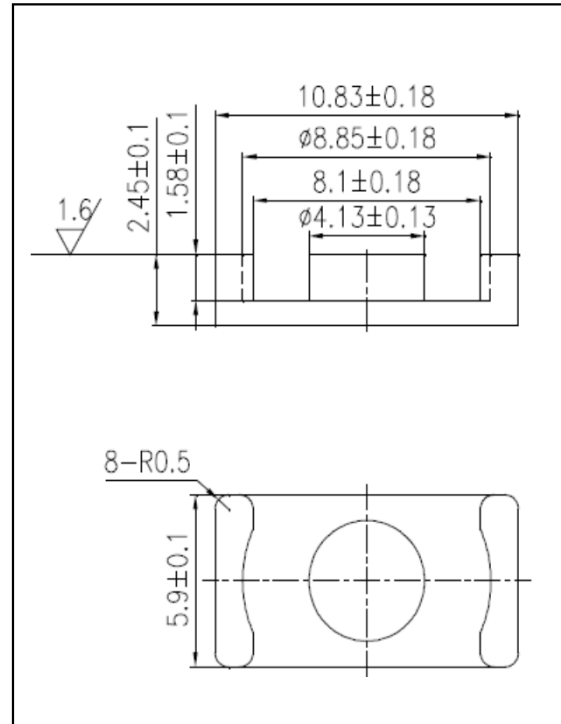


#### CORE SETS

##### Effective core parameters

SYMBOL	PARAMETER	VALUE	UNIT
$\Sigma (1/A)$	core factor ( $C_1$ )	1.18	$\text{mm}^{-1}$
$V_e$	effective volume	178.4	$\text{mm}^3$
$l_e$	effective length	14.5	mm
$A_e$	effective area	12.3	$\text{mm}^2$
$A_{\min}$	minimum area	10.3	$\text{mm}^2$
$W_t$	mass of core set	$\approx 1.0$	g



#### Characteristic

GRADE	AL ( $\text{nH/N}^2$ )	B (mT)	CORE LOSS (W)	
	f=10kHz U=0.25V	H=250A/m f=25kHz T=100°C	f=100kHz B=200mT T=100°C	
DMR40	1400 ± 25%	—	≤ 0.15	
DMR44	1400 ± 25%	—	≤ 0.125	
DMR95	1850 ± 25%	—	≤ 0.125	

GRADE	AL ( $\text{nH/N}^2$ )	B (mT)	CORE LOSS (W)	
	f=10kHz U=0.25V	H=250A/m f=25kHz T=100°C	f=500kHz B=50mT T=100°C	f=3MHz B=10mT T=100°C
DMR50B	850 ± 25%	—	≤ 0.036	—