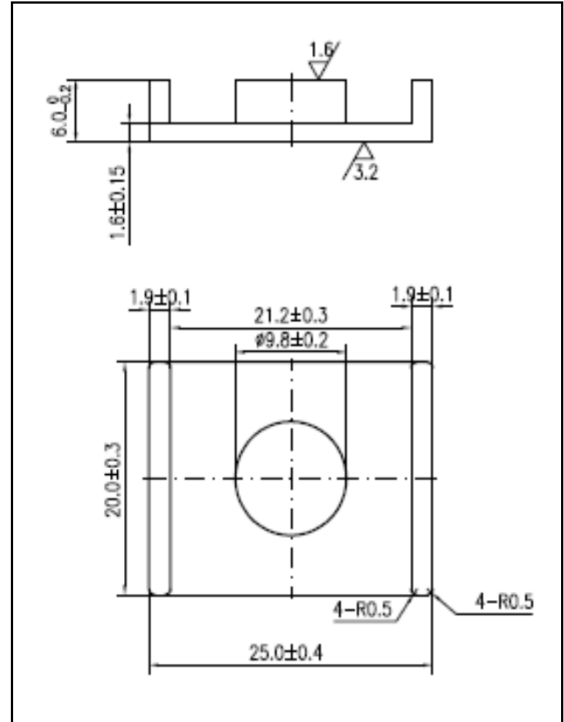


CORE SETS

Effective core parameters

SYMBOL	PARAMETER	VALUE	UNIT
$\Sigma (1/A)$	core factor (C_1)	0.59	mm^{-1}
V_e	effective volume	2834.4	mm^3
l_e	effective length	40.9	mm
A_e	effective area	69.3	mm^2
A_{\min}	minimum area	64.0	mm^2
W_t	mass of core set	≈ 13.8	g



Characteristic

GRADE	AL (nH/N ²)	B (mT)	CORE LOSS (W)	
	f=10kHz U=0.25V	H=250A/m f=25kHz T=100°C	f=500kHz B=50mT T=100°C	f=3MHz B=10mT T=100°C
DMR55	3400 ± 25%	≥ 300	≤ 0.85	—