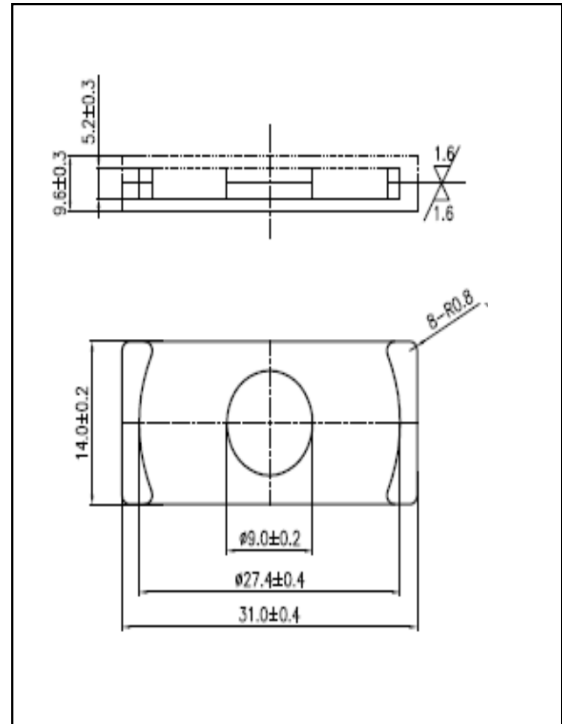


CORE SETS

Effective core parameters

SYMBOL	PARAMETER	VALUE	UNIT
$\Sigma (1/A)$	core factor (C_1)	0.59	mm^{-1}
V_e	effective volume	2359.94	mm^3
l_e	effective length	37.40	mm
A_e	effective area	63.10	mm^2
A_{\min}	minimum area	63.10	mm^2
W_t	mass of core set	≈ 12.6	g



Characteristic

GRADE	AL (nH/N^2)	B (mT)	CORE LOSS (W)
		f=10kHz U=0.25V	H=250A/m f=25kHz T=100°C
DMR95	$4200 \pm 25\%$	≥ 315	≤ 1.30